

HIDC-2600TVI

1080P High Definition H.264 IP IR Dome Camera

Honeywell HIDC-2600TVI combines world-class imaging and the latest IP camera technology with IP networking innovation, providing streaming images at full frame rate at 1080P resolution. With advanced resolution projection, the HIDC-2600TVI delivers high quality images, making it an ideal solution for high-end surveillance applications.

Featuring H.264 high profile compression format, the HIDC-2600TVI saves network bandwidth and storage even for high frame rate recording. The 2.8 – 12mm vari-focal DC-IRIS lens allows the field of view to be adjusted to match the scene requirements. Equipped with 18 LED lights with up to 20m IR visible range, the HIDC-2600TVI guarantees superb image quality even at zero illumination environments.

The HIDC-2600TVI is equipped with built-in Power over Ethernet (IEEE 802.3af), which allows power to be supplied to the camera using the network, eliminating the need for a separate power supply and reducing the cost of installation. For additional installation flexibility, the HIDC-2600TVI can also be powered with DC 12V and AC 24V.

Market Opportunities

Featuring 1080P high resolution, H.264 compression format, built-in IR LEDs, PoE and ONVIF interface, the HIDC-2600TVI optimizes surveillance performance for applications that require excellent image clarity and high-definition imaging at minimal bandwidth. With IP66 construction, the HIDC-2600TVI is most suitable for advanced applications such as metro, banks, railways, financial institutes, government buildings, airports etc.

FEATURES

- 1080P high definition
- H.264, and MJPEG simultaneously (Dual-encoders)
- H.264 high profile – saves bandwidth and storage
- Built-in IR LED - up to 20m
- True Day/Night (with IR-cut filter)
- WDR, 3DNR, DC IRIS, and Anti-flicker
- Comprehensive I/O ports: audio in, audio out, video out, Alarm In, Alarm Out, RJ45, RS485, SD card slot
- Built in Power over Ethernet (PoE); 100Base-T Ethernet
- Event triggering – camera tampering, Motion detection, Network loss, Alarm Input, Video loss
- Event trigger action – SNAP, Record video in SD, send to FTP, send to Email, External output activation, voice alert, notify to CMS
- Edge storage – up to 32G
- Compatible with Honeywell Universal Surveillance (HUS) Platform and NVRs
- ONVIF Profile S compliant



HIDC-2600TVI

1080P High Definition H.264 IP IR Dome Camera

SPECIFICATIONS

Camera	HIDC-2600TVI
Image Device	Sony 1/2.9" Exmor™ image sensor
Effective Pixels	1920 x 1080 pixels
Lens	2.8-12mm 3M DC-IRIS
Iris	DC Iris
ICR	Mechanical, TDN
Min. Illumination	IR LED ON: 0 Lux IR LED OFF: Color: 0.02 Lux @ F1.4 (AGC ON) B/W: 0.005 Lux @ F1.4 (AGC ON)
IR LED	18 IR LEDs, IR ON when below 3 Lux
IR Beam Distance	10 - 20m IR distance
IP Video	
Video Compression	H.264 and MJPEG simultaneously (Dual-encoders)
Video Profile	H.264 high profile
Profile Setting	Every video profile has Independent CBR / VBR / GOP / Frame rate setting
Main Stream Resolution	1080P (1920 x 1080), 720P (1280 x 720), Q1080P (960 x 544)
Second Stream Resolution	720P (1280 x 720), Q1080P (960 x 544), D1 (720 x 576), VGA (640 x 480), Q720P (640 x 360), CIF (352 x 288), QVGA (320 x 240), QCIF (176 x 144)
Frame Rate	1fps - 25/30fps
Bit Rate	16 - 8000kbps
Electronic Shutter	Auto mode: 1/25 - 1/30000 sec Manual mode: 1/25 - 1/10000 sec
Iris Exposure Control	Auto mode / Manual mode
AGC	LOW / MID-LOW / MID / MID-HIGH / HIGH
WDR	OFF / LOW / MID / HIGH
3-DNR	OFF / LOW / MID / HIGH
Color Mode	Normal / Natural / Bright
Image Setting	AE, AWB; 3D Noise reduction; WDR; Color, brightness, sharpness, contrast, Hue; Mirror/Flip; Privacy Masks; Text, time and date overlay
Streaming	Simultaneously multi-profile streaming; Streaming over UDP, TCP, HTTP, or HTTPS; M-JPEG streaming over HTTP (server push); Controllable frame rate and bandwidth; Constant and variable bit rate (MPEG4 / H.264)
On Screen Display	Text, time and date overlay
Audio	
Audio Encoder	RTSP: G.711 64kbps
Audio Streaming	One-way or two-way
Audio Input	External audio in
Audio Output	Speaker Out
Network	
Supported Protocols	IPv4, IPv6, TCP, UDP, HTTP, HTTPS, SMTP, FTP, NTP, DNS, DDNS, DHCP, ARP, Bonjour, UPnP, RTSP, RTP, RTCP, IGMP, PPPoE, ICMP, SNMP
Security	Password protection, HTTPS encrypted data transmission, user access log
Users	4 simultaneous unicast users
Ethernet	10/100M auto negotiation
System Integration	
Supported Interface	ONVIF Profile S
Event Detection	Alarm in, motion detection, Network loss detection, camera tampering, Video loss
Motion Detection	1 zone video motion detection with Sensitivity options

HIDC-2600TVI

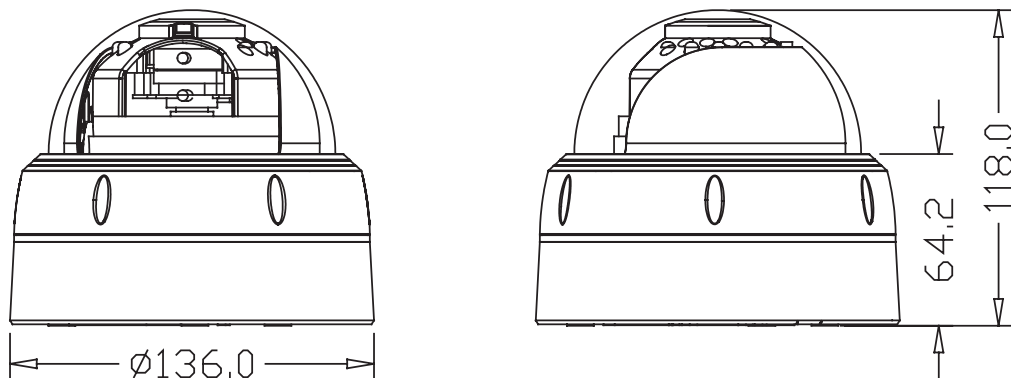
www.asia.security.honeywell.com

1080P High Definition H.264 IP IR Dome Camera

Camera	
Privacy Mask	4 zones
Camera Tampering	Camera Cover or Mask
Events Action	SNAP, Record video in TF, send to FTP, send to Email, External output activation, voice alert, notify to CMS
General	
OS	Windows XP or later
Browser	IE 8.0 or later
Supported Platform	Honeywell Universal Surveillance (HUS) and NVRs
Power Supply	12V DC or 24V AC \pm 10% external power adapter
PoE	IEEE 802.3af
Power consumption	Max 6W
Connectors	RJ-45 10Base-T/100Base-TX; 1 power jack; 2 alarm input and 1 output; Audio out; Audio input; Video out; SD card, and RS485
Edge Storage	32G
Operating Temperature	-20°C to 55°C
Operating Humidity	0% - 90% (non-condensing)
Dimensions	\varnothing 136mm x 118mm
Weight	491g
Certificate	CE, FCC, UL

Note: Honeywell reserves the right, without notification, to make changes in product design or specifications.

DIMENSIONS



Unit: mm

ORDERING

HIDC-2600TVI	1080P IP IR Dome Camera, 10 – 20m IR distance, 2.8 – 12mm, H.264 High-profile, TDN, WDR, ONVIF Profile S, Edge storage 32G, Tampering Detection, PoE, 24VAC/12VDC
--------------	---

HIDC-2600TVI

www.asia.security.honeywell.com

1080P High Definition H.264 IP IR Dome Camera

For more information:

Security Asia Pacific Headquarters
Security Australia Sales Hotline
Security China Sales Hotline
Security Hong Kong
Security India

Tel: (86) 21 2219 6888
Tel: 1300 234 234
Tel: 400-8800-330
Tel: (852) 2405 2323
Tel: (91) 124 497 5000

Security Indonesia
Security Korea
Security Singapore
Security Taiwan
Security Thailand

Tel: (62 21) 536 52322
Tel: (82) 2 799 6114
Tel: (65) 6355 2828
Tel: (886) 2 2245 1000
Tel: (66) 2 693 3099

www.asia.security.honeywell.com
security.ap@honeywell.com

Honeywell Security Group
Honeywell International Inc.
www.security.honeywell.com

Apr 2014
© 2014 Honeywell International Inc.

Honeywell