

HIDC-1600TV

720P High Definition H.264 IP Dome Camera

Honeywell HIDC-1600TV combines world-class imaging and the latest IP camera technology with IP networking innovation, providing streaming images at full frame rate at 720P resolution. With advanced resolution projection, the HIDC-1600TV delivers high quality images, making it an ideal solution for high-end surveillance applications.

The 2.8 – 12mm vari-focal DC-IRIS lens allows the field of view to be adjusted to match the scene requirements.

The HIDC-1600TV is equipped with built-in Power over Ethernet (IEEE 802.3af), which allows power to be supplied to the camera using the network, eliminating the need for a separate power supply and reducing the cost of installation. For additional installation flexibility, the HIDC-1600TV can also be powered with DC 12V and AC 24V.

Market Opportunities

Featuring 720P high resolution, H.264 compression format, PoE and ONVIF interface, the HIDC-1600TV optimizes surveillance performance for applications that require excellent image clarity and high-definition imaging at minimal bandwidth. The camera is most suitable for advanced applications such as metro, banks, railways, financial institutes, government buildings, airports etc.

FEATURES

- 720P high definition
- H.264, and MJPEG simultaneously (Dual-encoders)
- True Day/Night (with IR-cut filter)
- WDR, 3DNR, DC IRIS, and Anti-flicker
- Comprehensive I/O ports: audio in, audio out, video out, Alarm In, Alarm Out, RJ45, TF, RS485
- Built in Power over Ethernet (PoE); 100Base-T Ethernet
- Event triggering – camera tampering, Motion detection, Network loss, Alarm Input, Video Loss
- Event trigger action – SNAP, Record video in SD card, send to FTP, send to Email, External output activation, voice alert, notify to CMS
- Edge storage – up to 32G
- Compatible with Honeywell Universal Surveillance (HUS) Platform and NVRs
- ONVIF Profile S compliant



Ceiling mount bracket available



Driving IP-based physical security through global standardization



HIDC-1600TV

www.asia.security.honeywell.com

720P High Definition H.264 IP Dome Camera

SPECIFICATIONS

Camera	
Camera	HIDC-1600TV
Image Device	Sony 1/3" Exmor™ image sensor
Effective Pixels	1280 x 720 pixels
Lens	2.8 - 12mm 2M DC-IRIS
Iris	DC Iris
ICR	Mechanical, TDN
Min. Illumination	Color: 0.01 Lux @ F1.4 (AGC ON) B/W: 0.001 Lux @ F1.4 (AGC ON)
IP Video	
Video Compression	H.264 and MJPEG simultaneously (Dual-encoders)
Video Profile	H.264 baseline, main
Profile Setting	Every video profile has Independent CBR/ VBR/ GOP/ Frame rate setting
Main Stream Resolution	720P (1280 x 720), Q1080P (960 x 544)
Second Stream Resolution	D1 (720 x 576), VGA (640 x 480), Q720P (640 x 360), CIF (352 x 288), QVGA (320 x 240), QCIF (176 x 144)
Frame Rate	1fps - 25/30fps
Bit Rate	16 - 8000kbps
Electronic Shutter	Auto mode: 1/25 - 1/30000 sec Manual mode 1/25 - 1/10000 sec
Iris Exposure Control	Auto mode / Manual mode
AGC	LOW / MID-LOW / MID / MID-HIGH / HIGH
WDR	OFF / LOW / MID / HIGH
3-DNR	OFF / LOW / MID / HIGH
Color Mode	Normal / Natural / Bright
Image Setting	AE, AWB; 3D Noise reduction; WDR; Color, brightness, sharpness, contrast, Hue; Mirror/Flip; Privacy Masks; Text, time and date overlay
Streaming	Simultaneously multi-profile streaming; Streaming over UDP, TCP, HTTP, or HTTPS; M-JPEG streaming over HTTP (server push); Controllable frame rate and bandwidth; Constant and variable bit rate (MPEG4 / H.264)
On Screen Display	Text, time and date overlay
Audio	
Audio Encoder	RTSP: G.711 64kbps
Audio Streaming	One-way or two-way
Audio Input	External audio in
Audio Output	Speaker Out
Network	
Supported Protocols	IPv4, IPv6, TCP, UDP, HTTP, HTTPS, SMTP, FTP, NTP, DNS, DDNS, DHCP, ARP, Bonjour, UPnP, RTSP, RTP, RTCP, IGMP, PPPoE, ICMP, SNMP
Security	Password protection, HTTPS encrypted data transmission, user access log
Users	4 simultaneous unicast users
Ethernet	10/100M auto negotiation
System Integration	
Supported Interface	ONVIF Profile S
Event Detection	Alarm in, motion detection, network loss detection, camera tampering, video loss
Motion Detection	1-zone video motion detection with Sensitivity options
Privacy Mask	4 Zones
Camera Tampering	Camera Cover or Mask
Events Action	SNAP, Record video in SD card, send to FTP, send to Email, External output activation, voice alert, notify to CMS

HIDC-1600TV

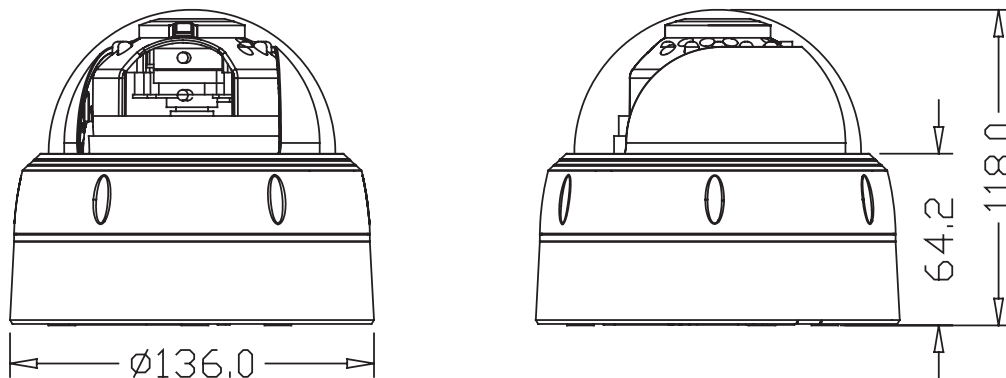
www.asia.security.honeywell.com

720P High Definition H.264 IP Dome Camera

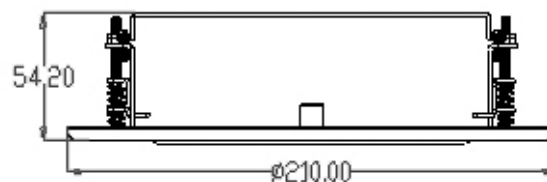
Camera	HIDC-1600TV
General	
OS	Windows XP or later
Browser	IE 8.0 or later
Supported Platform	Honeywell Universal Surveillance (HUS) and NVRs
Power Supply	12V DC or 24V AC $\pm 10\%$ external power adapter
PoE	IEEE 802.3af
Power Consumption	Max 4W
Connectors	RJ-45 10Base-T/100Base-TX; 1 power jack; 2 alarm input and 1 output; Audio out; Audio input; Video out; SD card, and RS485
Edge Storage	32G
Operating Temperature	-20°C to 55°C
Operating Humidity	0% - 90% (non-condensing)
Dimensions	$\varnothing 136\text{mm} \times 118\text{mm}$
Weight	509g
Certificate	CE, FCC, UL

Note: Honeywell reserves the right, without notification, to make changes in product design or specifications.

DIMENSIONS



HICM (Ceiling Mount Bracket)



Unit: mm

HIDC-1600TV

www.asia.security.honeywell.com

720P High Definition H.264 IP Dome Camera

ORDERING

HIDC-1600TV	720P IP Dome Camera, 2.8-12mm, H.264, TDN, WDR, ONVIF Profile S, Edge storage 32G, Tampering Detection, PoE, 24VAC/12VDC
HICM	Ceiling mounting bracket

For more information:

Security Asia Pacific Headquarters
Security Australia Sales Hotline
Security China Sales Hotline
Security Hong Kong
Security India

Tel: (86) 21 2219 6888
Tel: 1300 234 234
Tel: 400-8800-330
Tel: (852) 2405 2323
Tel: (91) 124 497 5000

Security Indonesia
Security Korea
Security Singapore
Security Taiwan
Security Thailand

Tel: (62 21) 536 52322
Tel: (82) 2 799 6114
Tel: (65) 6355 2828
Tel: (886) 2 2245 1000
Tel: (66) 2 693 3099

www.asia.security.honeywell.com
security.ap@honeywell.com

Honeywell Security Group
Honeywell International Inc.
www.security.honeywell.com

May 2014
© 2014 Honeywell International Inc.

Honeywell