

HICC-P-3100

www.asia.security.honeywell.com

3 Megapixel High Definition H.264 IP Box Camera

Honeywell Pioneer Series HICC-P-3100 Megapixel network camera combines world-class imaging and leading IP camera technologies, providing streaming images in 3 Megapixel (2048 x 1536) and full HD (1920 x 1080) real-time frame rate. With such advanced resolution projection, the HICC-P-3100 delivers ultra high image quality in any condition, making it an ideal choice for critical facilities to apply advanced surveillance standard.

Featuring H.264 high profile compression format, the HICC-P-3100 saves network bandwidth and storage for continuous recording.

The HICC-P-3100 is equipped with built-in Power over Ethernet (IEEE 802.3af), which allows power to be supplied to the camera using the network, eliminating the need for a separate power supply and reducing the cost of installation. For additional installation flexibility, the HICC-P-3100 can also be powered with DC 12V and AC 24V.

Market Opportunities

Featuring 3 Megapixel image resolution, H.264 compression format, PoE and ONVIF interface, the HICC-P-3100 optimizes surveillance performance for applications that require excellent image clarity and high-definition imaging at minimal bandwidth. It meets the high standard requirements for critical infrastructures such as metro, banks, railways, financial institutes, government buildings, airports etc.

FEATURES

- 3 Megapixel resolution at 25/30fps
- H.264 high profile – saves bandwidth and storage
- True Day/Night
- Region of Interest (ROI)
- Built in Power over Ethernet (PoE); Gigabit (1000Base-T) Ethernet
- Comprehensive I/O ports: MIC in, audio out, video out, DI, DO, RS485, RJ45, mSD
- Event trigger action – Send to NAS, send to FTP, send to Email, voice alert, notify to HTTP/TCP servers
- Compatible with Honeywell Universal Surveillance (HUS) Platform and NVRs
- ONVIF compliant



(Lens excluded)



Driving IP-based physical security through global standardization

HICC-P-3100

www.asia.security.honeywell.com

3 Megapixel High Definition H.264 IP Box Camera

SPECIFICATIONS

Model	HICC-P-3100
Camera	
Image Device	1/2.8" Sony progressive scan Exmor 3.4 Megapixel CMOS image sensor
Effective Pixels	2096 x 1561 pixels (3 Megapixel)
Lens	C/CS mount
IRIS	Support DC IRIS Lens
Min. Illumination	Color: 0.2 lux @ F1.2 / B/W: 0.08 lux
Day & Night	True Day/Night (TDN)
Backlight Compensation	On/Off
Electronic Shutter Speed	1/25s - 1/47000s
Pan/Tilt/Zoom Control	Via RS485
IP Video	
Video Compression	H.264 (base line, main-profile, and hi-profile) and MJPEG simultaneously
Video Profile	<ul style="list-style-type: none"> · 3 Megapixel Mode (H.264 and MJPEG) – 2048 x 1536; 1280 x 960; 640 x 480; 320 x 240 · Full HD Mode (H.264 & MJPEG) – 1920 x 1080; 1280 x 720; 640 x 360; 320 x 180 · Dual Streams – H.264 2048 x 1536 (30fps) + H.264 2048 x 1536 (30fps) · Triple Streams – H.264 1920x1080(30fps) x 2 + H.264 1280x720 (30fps)
Frame Rate	Up to 25/30fps in all resolutions
Region of Interest	Max. 2 ROI @ 3M mode. Editable range Max. 3 ROI @ 1080P mode. Editable range
Image Setting	BLC, AGC, AE, AWB; 3D Noise reduction; WDR; Color, brightness, sharpness, contrast, Hue; Image Mirror/Flip; Privacy Masks: 7 areas
Streaming	Simultaneously multi-profile streaming; Streaming over UDP, TCP, HTTP, or HTTPS; M-JPEG streaming over HTTP (server push); Controllable frame rate and bandwidth; Constant and variable bit rate; ROI
OSD	Text, time and date overlay; Editable OSD (bitmap format)
Language	English, Traditional Chinese, Simplified Chinese, Korean
Audio	
Audio Encoder	RTSP: G.711 64kbps, G.726 32kbps
Audio Streaming	One-way or two-way
Microphone	External microphone
Audio Output	Adjustable audio output gain
Network	
Supported Protocols	IPv4, IPv6, TCP, UDP, HTTP, HTTPS, SMTP, FTP, NTP, DNS, DDNS, DHCP, DIPS, ARP, Bonjour, UPnP, RTSP, RTP, RTCP, IGMP, PPPoE, 3GPP, Samba, ICMP
Security	Password protection, IP address filtering, HTTPS encrypted data transmission, user access log
Users	8 simultaneous unicast users
Ethernet	10Base-T/100Base-TX/1000Base-T auto negotiation

HICC-P-3100

www.asia.security.honeywell.com

3 Megapixel High Definition H.264 IP Box Camera

SPECIFICATIONS

Model	HICC-P-3100
System Integration	
Supported Interface	ONVIF
Alarm Triggers	Intelligent video motion detection; Camera Tampering; Audio Detection; Digital input
Motion Detection	10-zone video motion detection with included or excluded options
Alarm Events	File upload via FTP or email; File upload via Samba to NAS; Notification via email, HTTP, and TCP; External output activation; Audio alerting output; Micro SD card local storage
Video Buffer	Pre- and post- alarm buffering
Viewing System	
Browser	IE 8.0 or later
Platform	
Supported NVR Program	Honeywell Universal Surveillance (HUS) and NVRs
General	
Power Supply	DC12V / AC24V
Power Consumption	7W (12VDC)
PoE	IEEE 802.3af Class 3
Connectors	RJ-45 10Base-T/100Base-TX/1000Base-T; 12VDC power jack; AC24V Terminal; 1 alarm input and 1 output; RS485; Audio out; External MIC input; Composited video out; Factory default reset; Micro SD card
Indication LED	Green and orange LEDs
Operating Temperature	-10°C to 50°C
Operating Humidity	10% - 90% (non-condensing)
Dimensions	125 x 58 x 62mm
Certificate	CE, FCC, UL

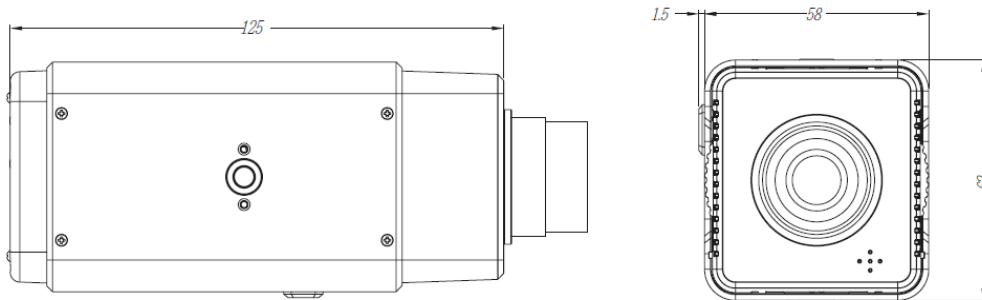
Note: Honeywell reserves the right, without notification, to make changes in product design or specifications.

HICC-P-3100

www.asia.security.honeywell.com

3 Megapixel High Definition H.264 IP Box Camera

DIMENSIONS



Unit: mm

ORDERING

HICC-P-3100	IP Box Camera, 3 Megapixel @ 30fps, TDN, H.264 High Profile, PoE, ONVIF, 24VAC/12VDC
-------------	--

For more information:

Security Asia Pacific Headquarters
Security Australia Sales Hotline
Security China Sales Hotline
Security Hong Kong
Security India

Tel: (86) 21 2219 6888
Tel: 1300 234 234
Tel: 400-8800-330
Tel: (852) 2405 2323
Tel: (91) 124 497 5000

Security Indonesia
Security Korea
Security Singapore
Security Taiwan
Security Thailand

Tel: (62 21) 536 52322
Tel: (82) 2 799 6114
Tel: (65) 6355 2828
Tel: (886) 2 2245 1000
Tel: (66) 2 693 3099

www.asia.security.honeywell.com
security.ap@honeywell.com

Honeywell Security Group
Automation & Control Solutions
Honeywell International Inc.
www.security.honeywell.com

Nov 2013
© 2013 Honeywell International Inc.