

HICC-P-2100XIRV

www.asia.security.honeywell.com

2M / 1080P 60fps H.264 TDN WDR IR Bullet Camera

Honeywell HICC-P-2100XIRV Megapixel network camera combines world-class imaging and leading IP camera technologies, providing streaming images in full HD (1920 x 1080) at 60fps. With such advanced resolution projection, the HICC-P-2100XIRV delivers ultra high image quality in any condition, making it an ideal choice for critical facilities to apply advanced surveillance standard.

At low illumination or complete darkness, the HICC-P-2100XIRV uses built-in IR LEDs to provide useable black and white video with a viewing range of up to 25m from the camera. The Vari-focal auto iris lens allows the field of view to be adjusted to match the scene requirements.

The use of the advanced P-iris technology improves image sharpness and usability. P-iris optimizes iris opening automatically at various lighting conditions that enhances image contrast, depth of field and clarity - which eventually improves the overall image quality. The HICC-P-2100XIRV is also programmed with a number of video analytics functions including object detection, audio detection, face detection, camera tampering and tripwire detection (Cross Line).

Featuring H.264 high profile compression format, the HICC-P-2100XIRV saves network bandwidth and storage for continuous recording.

The HICC-P-2100XIRV is equipped with built-in Power over Ethernet (IEEE 802.3af), which allows power to be supplied to the camera using the network, eliminating the need for a separate power supply and reducing the cost of installation. For additional installation flexibility, the HICC-P-2100XIRV can also be powered with DC 12V and AC 24V.

Market Opportunities

Featuring 1080P resolution, H.264 video compression, built-in IR LED, P-iris, built-in video analytics, PoE and ONVIF interface, the HICC-P-2100XIRV optimizes surveillance performance for applications that require excellent image clarity and high definition imaging at minimal bandwidth. It meets the high standard requirements for critical facilities such as metro, banks, railway, financial institutes, government buildings, airports etc.

FEATURES

- 1080p resolution, 60fps or WDR mode selectable
- H.264 high profile – saves bandwidth and storage
- Built-in IR LED - up to 20m
- TDN, WDR, P-iris, Remote Auto Zoom and Focus
- Front Light Compensation (FLC)
- Built in Power over Ethernet (PoE); Gigabit (1000Base-T) Ethernet
- Video analytics built-in: object detection, audio detection, face detection, camera tampering and tripwire detection (Cross Line)
- Support IPv6, SNMP
- IP66 weather-proof
- Compatible with Honeywell Universal Surveillance (HUS) Platform and NVRs
- ONVIF Profile S



HICC-P-2100XIRV

www.asia.security.honeywell.com

2M / 1080P 60fps H.264 TDN WDR IR Bullet Camera

SPECIFICATIONS

Model	HICC-P-2100XIRV
Camera	
Image Device	1/2.8" SONY progressive scan Exmor™ image sensor
Effective Pixels	1920 x 1080 pixels
Lens	3 - 9mm, Vari-focal 3x Motorized Focus Zoom lens
Day & Night	TDN, Mechanical
Min. illumination	Color: 0.02 lux @F1.4 (AGC on) B/W: 0.005 lux @F1.4 (AGC on); 0 lux with IR LED on
IR Distance	15 - 20m
IRIS	P-iris
Video	
Video Encoder	H.264 (baseline, main-profile, and hi-profile) and MJPEG simultaneously
Video Profile	Dual stream
Frame Rate	Up to 60fps for 60fps mode Up to 30fps for WDR mode
Main Stream Resolution	WDR mode: 1920x1080, 1280x1024, 1280x960, 1280x720, 1024x768, 800x600, 800x480, 720x576, 720x480, 704x576, 640x480, 352x288, 352x240, 320x240, 320x192, 176x144, 160x120 60fps mode: 1920x1080
Second Stream Resolution	WDR mode: 1920x1080, 1280x1024, 1280x960, 1280x720, 1024x768, 800x600, 800x480, 720x576, 720x480, 704x576, 640x480, 352x288, 352x240, 320x240, 320x192, 176x144, 160x120 60fps mode: 640x480
Bit Rate	24 - 15,000kbps
Electronic Shutter	Auto mode: 1 - 1/3000 sec Manual mode: 1/2 - 1/10000 sec
Iris Exposure Control	Auto / Auto Indoor / Manual Exposure
Photometry Method	Average / Center / Spot / BLC / FLC
Image Setting	AE (AGC), AWB, 3D Noise reduction, WDR, Exposure value, Color, brightness, sharpness, contrast, Hue, BLC, FLC (Front Light Compensation), Mirror/Flip, Privacy Masking, DIS (Digital Image Stabilizer)
WDR Strength	0 - 5. Maximum 120dB
3D De-Noise Strength	0 - 8
2D De-Noise Strength	0 - 9
Remote Focus / Zoom	Focus: Auto / Manual Zoom: Wide / Tele controllable
On Screen Display	Text, time and date overlay, Editable OSD
Streaming	Simultaneously dual streaming; Streaming over UDP, TCP, HTTP, or HTTPS; M-JPEG streaming over HTTP (server push); Controllable frame rate and bandwidth; Constant and variable bit rate (H.264); Area of Interest (AOI)
Audio	
Audio Encoder	RTSP: G.711 64kbps, G.726 32kbps

HICC-P-2100XIRV

www.asia.security.honeywell.com

2M / 1080P 60fps H.264 TDN WDR IR Bullet Camera

SPECIFICATIONS

Model	HICC-P-2100XIRV
Audio Streaming	One-way or two-way
Microphone	External microphone
Audio Output	Adjustable audio output gain
Network	
Supported Protocols	IPv6, IPv4, TCP, UDP, HTTP, HTTPS, SMTP, FTP, NTP, DNS, DDNS, DHCP, DIPS, ARP, Bonjour, UPnP, RTSP, RTP, RTCP, IGMP, PPPoE, 3GPP, Samba, ICMP, SNMP, QoS (DiffServ)
Security	Password protection, IP address filtering, HTTPS encrypted data transmission, user access log
Users	8 simultaneous unicast users
Ethernet	10/100/1000M auto negotiation
System Integration	
Application Programming Interface	ONVIF; Open API for software integration; SDK
Event Detection	External input; Object Detection; Audio detection; Face detection; Camera tampering; Tripwire detection (Cross Line)
Object Detection	Detection with Entrance, Desertion or Theft options
Audio Detection	Audio level 0-100
Camera Tampering	Camera defocus / move direction / mask
Alarm Events	File upload via FTP or email; File upload via Samba to NAS; Notification via email, HTTP, and TCP; External output activation; Audio alerting output
Video Buffer	Pre- and post- alarm buffering
Built-in installation aid	Pixel counter
General	
OS	Windows 7, 8
Browser	IE 8.0 or later
Supported Platform	Honeywell Universal Surveillance (HUS) and NVRs
ONVIF compatible	ONVIF Profile S
Power Supply	12V DC / AC24V
PoE	IEEE 802.3af class 3
Power Consumption	10W (12V DC in)
I/O Connectors	RJ-45 10Base-T/100Base-TX/1000Base-T; 12VDC power jack; AC24V Terminal; 1 alarm input and 1 output; RS485; Audio out; External MIC input; Factory default reset
Indication LED	Green and orange LEDs
Operating Temperature	-15°C to 55°C
Operating Humidity	10% - 90% (non-condensing)
Protection	IP66 weather-proof
Dimensions	Φ100.53 x 171 (H) mm
Weight	885g
Certificate	CE, FCC

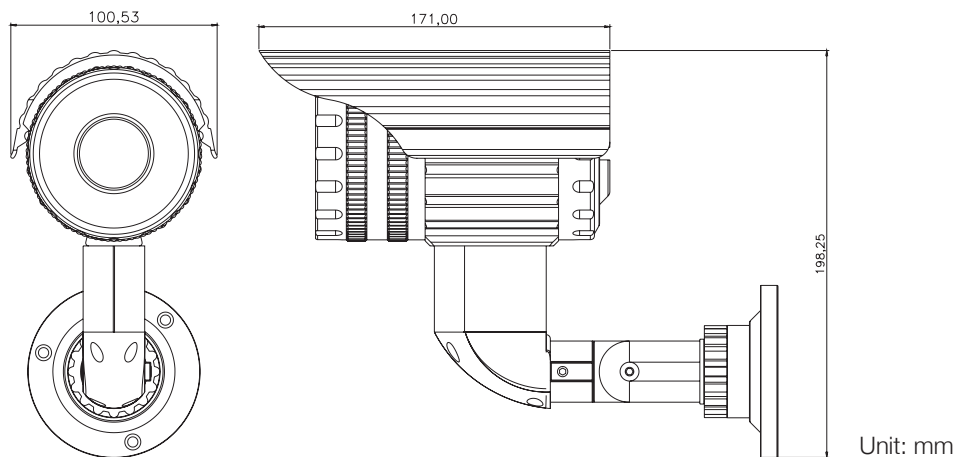
Note: Honeywell reserves the right, without notification, to make changes in product design or specifications.

HICC-P-2100XIRV

www.asia.security.honeywell.com

2M / 1080P 60fps H.264 TDN WDR IR Bullet Camera

DIMENSIONS



ORDERING

HICC-P-2100XIRV	1080P@60fps IP IR bullet camera, H.264 high-profile, P-iris, TDN, WDR, FLC , VA built-in, IR beam distance 15 - 20m, IP66, PoE, 12V DC/24V/AC, ONVIF Profile S (2.0+)
-----------------	---

For more information:

Security Asia Pacific Headquarters
Security Australia Sales Hotline
Security China Sales Hotline
Security Hong Kong
Security India

Tel: (86) 21 2219 6888
Tel: 1300 234 234
Tel: 400-8800-330
Tel: (852) 2405 2323
Tel: (91) 124 497 5000

Security Indonesia
Security Korea
Security Singapore
Security Taiwan
Security Thailand

Tel: (62 21) 536 52322
Tel: (82) 2 799 6114
Tel: (65) 6355 2828
Tel: (886) 2 2245 1000
Tel: (66) 2 693 3099

www.asia.security.honeywell.com
security.ap@honeywell.com

Honeywell Security Group
Honeywell International Inc.
www.security.honeywell.com

Oct 2014
© 2014 Honeywell International Inc.