

TDN WDR IR MFZ Ball Camera

HEW2PR2/HEW4PR2

Honeywell's new HEW2PR2/HEW4PR2 ball cameras are taking quality and reliability to the next level, providing outstanding picture clarity and hassle-free flexible system integration.

Superior Image Quality

- Full HD 1080p 25/30 fps image with a 1/2.7" 2 megapixel sensor or full HD 4 MP 20 fps image with a 1/3" 4 megapixel sensor
- Wide Dynamic Range, up to 120 dB, ensures glare-free images
- True Day/Night provides vivid color images by day and clear black-and-white images at night with ICR
- Excellent low-light performance with 3D noise reduction, saving storage and bandwidth

Flexible Surveillance Solution

- 2.7–12 mm motorized focus/zoom lens at F1.4
- H.264 and MJPEG codec, triple stream support
- IR LEDs provide up to 200 ft (60 m) of illumination in dimly lit or nighttime scenes (depending on scene reflectance)
- Smart IR technology provides even distribution of IR
- Weatherproof (IP66) and vandal-resistant (IK10) camera housing
- -22°F to 140°F (-30°C to 60°C) working temperature
- Plug-and-play compatible with Honeywell 4/8/16-channel Performance Series Embedded NVRs

Easy to Install and Use

- Built-in PoE (Power over Ethernet) eliminates need for separate power supply and associated wiring; 12 VDC inputs where PoE power is unavailable
- Remote configuration through web client or from the NVR
- Compatible with Honeywell's HQA-BB2 junction box, HQA-WK wall mount, HQA-PM pole mount, and HB34S2-CM corner mount



Market Opportunities

These flexible, fully featured cameras are ideal for a wide range of surveillance applications, providing excellent picture quality at minimal bandwidth while offering reliable protection against dust, dirt, and water.

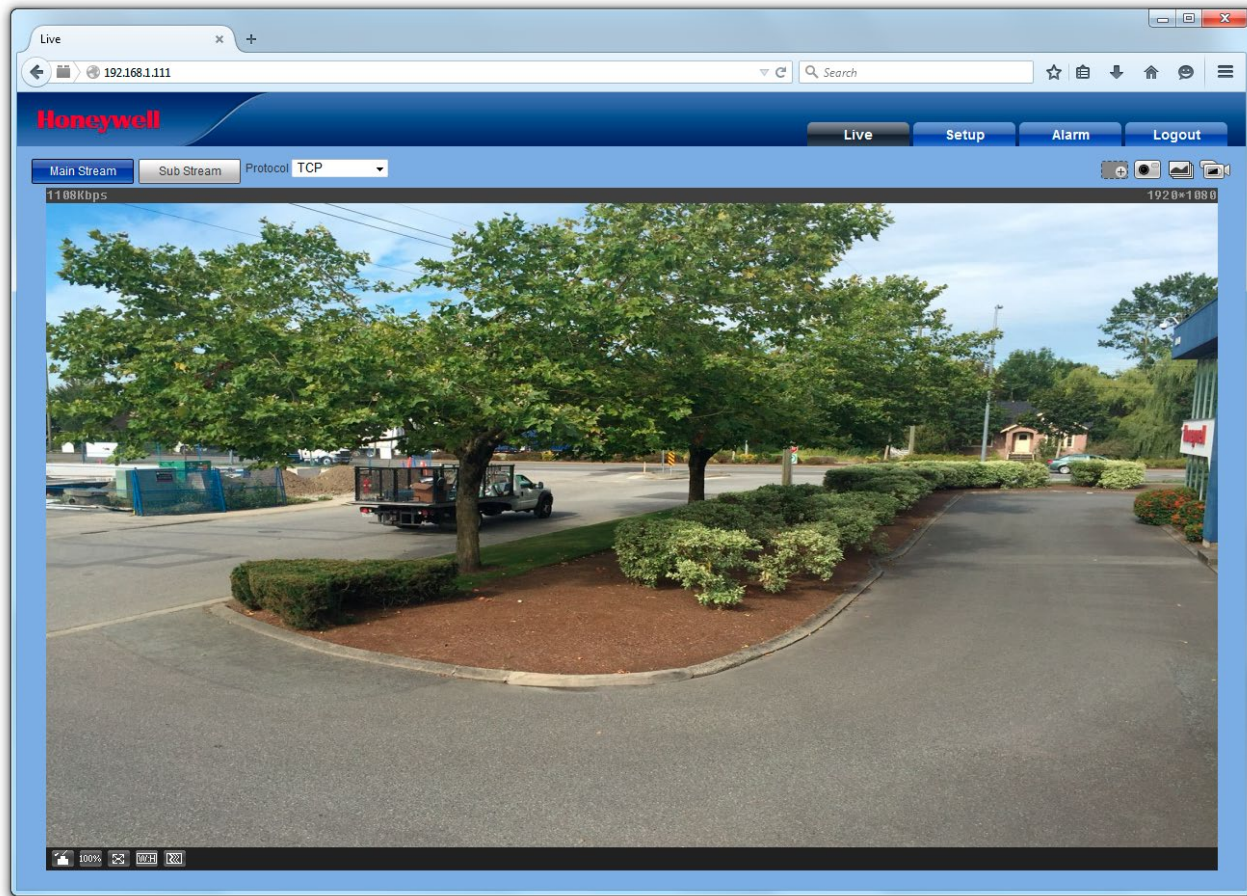
FEATURES AND BENEFITS

- 1/2.7" 2 MP or 1/3" 4 MP progressive scan imager
- 2.7–12 MFZ fixed lens
- True day/night (IR-cut filter)
- Wide dynamic range up to 120 dB
- Low-light performance down to 0.01 lux (color) or 0 lux with IR LEDs on
- Up to 200 ft (60 m) IR illumination, depending on scene reflectance
- H.264 Main Profile compression
- Triple stream support
- Supports up to 20 connections
- Corridor mode
- PoE, 12 VDC support
- Plug-and-play compatible with Honeywell Performance Series Embedded NVRs
- IP66 and IK10-rated weatherproof housing

TDN WDR IR MFZ Ball Camera

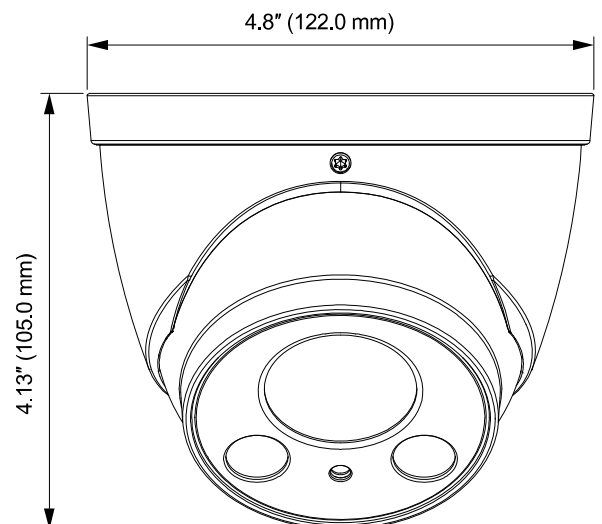
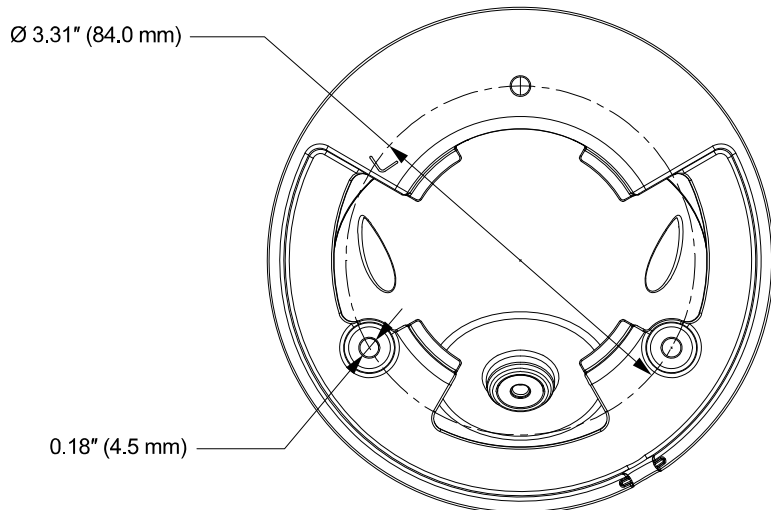
Security Features

The camera can be configured to automatically detect and respond to events such as motion in the scene and/or camera tampering. Automated responses include sending a notification through email, FTP, and/or HTTP, and sending a still image of the event through email and/or FTP. Setup can be done using the web client or from an NVR.



DIMENSIONS

HEW2PR2/HEW4PR2 Dimensions



TDN WDR IR MFZ Ball Camera

SPECIFICATIONS

OPERATIONAL	
VIDEO STANDARD	NTSC/PAL
SCANNING SYSTEM	Progressive scan
IMAGE SENSOR	HEW2PR2: 1/2.7" 2 MP CMOS HEW4PR2: 1/3" 4 MP CMOS
NUMBER OF PIXELS (H×V)	HEW2PR2: 1920×1080 (2 MP) HEW4PR2: 2688×1520 (4 MP)
MINIMUM ILLUMINATION	0.01 lux, F1.4 (color) 0 lux (B/W with IR LEDs on)
S/N RATIO	50 dB or more
ELECTRONIC SHUTTER SPEED	1/3–1/100 000 s
IR DISTANCE	Up to 200 ft (60 m), depending on scene reflectance
DAY/NIGHT	Auto(ICR)/Color/BW
BACKLIGHT COMPENSATION	BLC/HLC/WDR (120 dB)
WHITE BALANCE	Auto/Manual
GAIN CONTROL	Auto/Manual
NOISE REDUCTION	3DNR
PRIVACY MASKING	Up to 4 areas
MOTION DETECTION	Up to 4 areas
LENS	2.7 - 12mm, MFZ, F1.4
HORIZONTAL ANGLE OF VIEW	86° - 30°
CORRIDOR MODE	Yes
VIDEO	
VIDEO COMPRESSION	H.264/H.264H/H.264B/MJPEG
FRAME RATE	HEW2PR2: 25/30 fps @ 1920×1080 (2 MP), 25/30fps @ 1280×1024 (SXGA), 25/30fps @ 1280×960 (1.3 MP), 1280×720 (720p), 704×576/704×480 (D1), 352×288/352×240 (CIF) HEW4PR2: 20 fps @ 2688×1520 (4 MP); 20 fps @ 2560 × 1440 (4 MP); 25/30 fps @2304×1296 (3 MP), 1920×1080 (1080p), 25/30fps @ 1280×1024 (SXGA), 25/30fps @ 1280×960 (1.3 MP), 1280×720 (720p), 704×576/ 704×480 (D1), 352×288/352×240 (CIF)
BIT RATE (H.264)	32 Kbps – 10 Mbps
LOCAL STORAGE	microSD, 128 GB max.

NETWORK	
ETHERNET	RJ-45 (10/100Base-T)
PROTOCOLS*	IPv4/IPv6, HTTP, HTTPS, SSL, TCP/IP, UDP, UPnP, ICMP, IGMP, SNMP, RTSP, RTP, SMTP, NTP, DHCP, DNS, PPPoE, DDNS, FTP, IP Filter, QoS, Bonjour, 802.1X
COMPATIBILITY	ONVIF Profile S, Profile G
MAX. USER ACCESS	20 users
MOBILE DEVICES	HonView Touch for iPhone and Android devices
ELECTRICAL	
POWER SUPPLY	PoE (802.3af), 12 VDC
POWER CONSUMPTION	HEW2PR2: 7.0 W max. HEW4PR2: 7.5 W max.
MECHANICAL	
DIMENSIONS	4.80 × 4.02 in. (122.0 × 102.0 mm)
WEIGHT	1.21 lb (0.55 kg)
CONSTRUCTION	Die-cast aluminum housing with powder coat
CONSTRUCTION COLOR	RAL 7022 (Grey)
ENVIRONMENTAL	
TEMPERATURE	-22°F to 140°F (-30°C to 60°C)
RELATIVE HUMIDITY	0–95%, non-condensing
INGRESS PROTECTION	IP66
REGULATORY	
EMISSIONS	FCC Part 15, CE (EN 55032)
IMMUNITY	CE (EN 50130-4)
SAFETY	North America UL Listed to UL/CSA 60950-1, CE (EN 60950-1)

* Some development may be required in specific user cases to support some of these protocols in the field as they mature over time.

TDN WDR IR MFZ Ball Camera

SPECIFICATIONS

SYSTEM INTEGRATION

OPEN IP INTEGRATION

ONVIF support and open API software integration. Refer to www.onvif.org for the ONVIF specification and the Honeywell Open Technology Alliance website (<http://www.security.honeywell.com/hota/>) to learn more about our open and integrated solutions



SYSTEM COMPATIBILITY

NVRs

HEN041*2(X)	H.264 4-Channel 1080p Embedded Network Video Recorder
HEN081*2(X)	H.264 8-Channel 1080p Embedded Network Video Recorder
HEN161*2(X)	H.264 16-Channel 1080p Embedded Network Video Recorder

ORDERING

ACCESSORIES

MOUNTS

HQA-BB2	Junction box
HQA-WK	Wall mount
HQA-PM	Pole mount
HB34S2-CM	Corner mount

CAMERAS

HEW2PR2	Network TDN WDR IR Bullet Camera, 1/2.7" CMOS, 2 MP, 2.7-12 mm MFZ, 4 High Power IR LEDs, PoE, H.264
HEW4PR2	Network TDN WDR IR Bullet Camera, 1/3" CMOS, 4 MP, 2.7-12 mm MFZ, 2 High Power IR LEDs, PoE, H.264

For more information

www.honeywell.com/security

Honeywell Security and Fire

2700 Blankenbaker Pkwy, Suite 150
Louisville, KY 40299
1.800.323.4576
www.honeywell.com

Honeywell reserves the right, without notification, to make changes in product design or specifications.

L/MFZBLCD/D | 10/16
© 2016 Honeywell International Inc.

Honeywell