

HED1PR3/HED3PR3

www.honeywellvideo.com

PERFORMANCE SERIES IP 1.3 MP/3 MP TRUE DAY/NIGHT IR INDOOR/OUTDOOR BALL CAMERA

The HED1PR3 and HED3PR3 are affordable, fully featured IP cameras that pair perfectly with a Performance Series NVR.

Superior Image Quality

- HED3PR3: 3 MP (20 fps) and Full HD 1080p (25/30 fps) image with 1/3" 3 MP sensor, no distortion of image in 16:9 display, 12.5% more horizontal pixel density than conventional 3 MP 4:3 cameras
- HED1PR3: 1.3 MP (25/30 fps) and HD 720p (25/30fps) image with 1/3" 1.3 MP sensor
- True Day/Night capability, vivid color pictures by day and clear black-and-white pictures at night with mechanical IR cut filter
- Excellent low-light performance with 3D Noise Reduction, saving storage and bandwidth together with H.264 High Profile codec

Flexible Surveillance Solution

- IR LEDs provide up to 100 ft (30 m) of illumination in dimly lit or nighttime scenes, depending on scene reflectance
- Smart IR technology for even distribution of IR
- Waterproof (IP66) camera housing is perfect for outdoor installations
- Small form factor, inconspicuous after installation
- 2.8 mm F2.1 fixed lens for wide field of view
- Monitor from anywhere using HonView Touch mobile app for both Apple® and Android™ smart phones and tablet computers
- Configurable motion detection and camera tamper detection settings, including configurable alarm notifications

Easy to Install and Use

- Compact design for fast, easy installation
- Built-in PoE (Power over Ethernet) eliminates separate power supply and associated wiring; 12 V DC inputs where PoE power is unavailable
- Plug-and-play with a Honeywell Performance Series NVR
- Remote configuration and firmware updating through the Honeywell Viewer web client and the Honeywell Config tool

Market Opportunities

These fully featured IP cameras perfectly complement your Embedded IP NVR and are an excellent, cost-effective option for both indoor and outdoor surveillance applications, including retail stores, schools, colleges, hospitals, commercial sites, industrial parks, airports, gated entrances, loading docks, and driveways.



HED1PR3
HED3PR3

HD



HED1PR3/HED3PR3

www.honeywellvideo.com

SPECIFICATIONS

Model	HED1PR3	HED3PR3
Camera		
Image Sensor	1/3" 1.3 megapixel progressive scan CMOS	1/3" 3 megapixel progressive scan CMOS
Effective Pixels	1280 (H) × 960 (V)	2304 (H) × 1296 (V)
Electronic Shutter Speed	Auto/Manual, 1/3–1/30000 s	
Min. Illumination	0.08 lux, F2.1 (Color); 0 lux (IR LEDs on)	0.045 lux, F2.1 (Color); 0 lux (IR LEDs on)
S/N Ratio	More than 50 dB	
Camera Features		
IR Distance	Up to 100 ft (30 m), depending on scene reflectance	
Day/Night	Auto (ICR)/Color/BW	
Backlight Compensation	BLC/HLC/DWDR	
White Balance	Auto/Manual	
Gain Control	Auto/Manual	
Noise Reduction	3D	
Privacy Masking	Up to 4 areas	
Lens		
Focal Length	2.8 mm	
Max. Aperture	F2.1	
Horizontal Angle of View	89°	92°
Lens Type	Fixed	
Video		
Compression	H.264 (Main/High/Baseline Profile)/MJPEG	
Resolution	1.3 MP (1280×960), 720p (1280×720), D1 (704×480), CIF (352×240)	3 MP (2304×1296), 1080p (1920×1080), 720p (1280×720), D1 (704×480), CIF (352×240)
Frame Rate	Main Stream	1.3 MP/720p (1–25/30 fps)
	Sub Stream	D1, CIF (1–25/30 fps)
3 MP	(1–20 fps), 1080p (1–25/30 fps)	
Bit Rate	H.264: 4–8192 kbps	
Corridor Mode	Support	
Network		
Ethernet	RJ-45 (10/100Base-T)	
Protocol	IPv4/IPv6, HTTP, HTTPS, TCP/IP, UDP, UPnP, ICMP, IGMP, RTSP, RTP, SMTP, NTP, DHCP, DNS, PPPoE, DDNS, FTP, IP Filter, QoS. HED3PR3 also supports 802.1X protocol (HED1PR3 does not support 802.1X)	
Compatibility	ONVIF Profile S.	
Max. User Access	20 users	
Mobile App	HonView Touch for iPhone, iPad, Android Phone and Tablet	
General		
Power Supply	PoE (802.3af), 12 V DC	
Power Consumption	3.8 W max. (IR LEDs on)	3.7 W max. (IR LEDs on)
Working Environment	–22°F to 140°F (–30°C to 60°C); 10% to 100% RH, condensing	
Ingress Protection	IP66	
Dimensions	4.25 × 3.31 in. (108 × 84 mm)	
Weight	0.55 lb (0.25 kg)	
Regulatory	FCC, Part 15B, Class B	

HED1PR3/HED3PR3

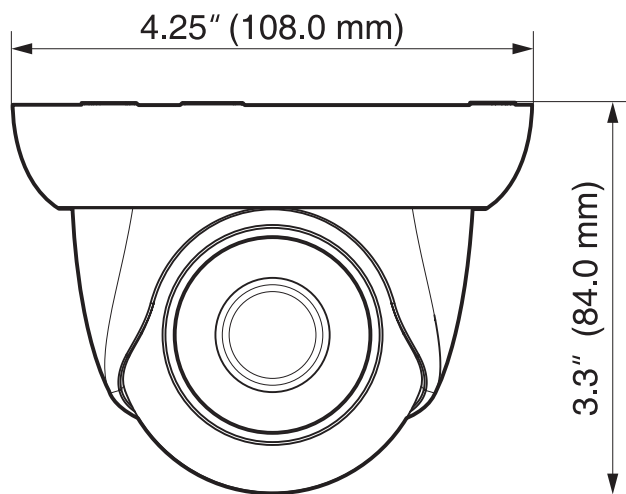
www.honeywellvideo.com

ORDERING

Recommended Accessories	
Mounting Options	
HQA-WK	Wall Mount for Dome and Ball Cameras
HBS2-BB	Junction Box
HEJB	Junction Box
HB34S2-CM	Corner Mount (for use with HBS2-BB or HEJB)
HQA-PM	Pole Mount (for use with HBS2-BB or HEJB)
System Compatibility	
HEN041**	H.264 4-Channel 1080p Embedded Network Video Recorder (1 or 2 TB)*
HEN081**	H.264 8-Channel 1080p Embedded Network Video Recorder (2, 4 or 6 TB)
HEN161**	H.264 16-Channel 1080p Embedded Network Video Recorder (3 or 6 TB)

*The 4-channel NVR does not support 3 MP camera

HED1PR3/HED3PR3



Ordering	
Honeywell Performance Series IP Cameras	
HED1PR3	Network TDN IR Indoor/Outdoor Ball Camera, 1/3" CMOS, 1.3 MP, 2.8 mm Fixed, 12 IR LEDs, PoE, H.264
HED3PR3	Network TDN IR Indoor/Outdoor Ball Camera, 1/3" CMOS, 3 MP, 2.8 mm Fixed, 12 IR LEDs, PoE, H.264

For more information:

www.honeywell.com/security

Automation and Control Solutions

Honeywell Security and Fire
2700 Blankenbaker Pkwy, Suite 150
Louisville, KY 40299
1.800.323.4576
www.honeywell.com

L/PSIPBD/D
December 2015
© 2015 Honeywell International Inc.

Honeywell