



F 1.2, Auto Iris
Professional
10X Motor Zoom

1/2" C-mount Motorized 10X Zoom Lens

SLA-880

- Video Type Auto Iris, C-mount
- 10X Motorized zoom (f8 ~ 80mm)
- Sharp and clear image in low light with F 1.2
- Simple to install and adjust
- Compatible with 1/2" and 1/3" CCD cameras

SAMSUNG TECHWIN

SAMSUNG



1/2" C-mount Motorized 10X Zoom Lens

SLA-880

The SLA-880 C-mount lens offers full motorized zoom and focus operation. Equipped with a powerful 10X optical zoom, the lens is ideal for surveillance applications requiring high quality long range viewing. A built-in auto iris adjustment by video connection allows installation in areas with changing light conditions. Compact and lightweight in design, it is built for compatibility with various 1/2" and 1/3" image format cameras.

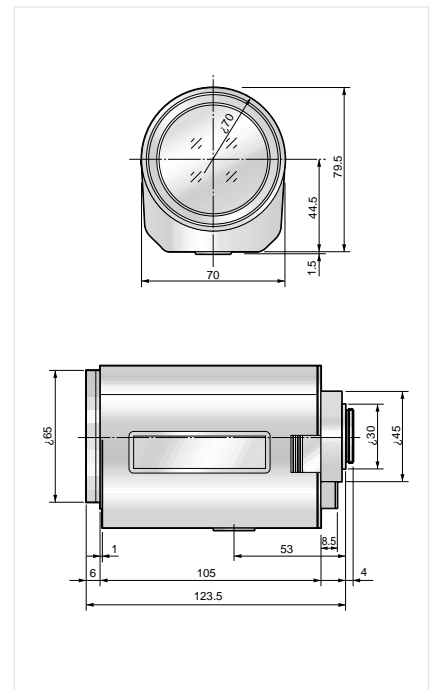


Specifications

Mode		SLA-880	
CCD		1/2"	1/3"
Iris Type		Auto Iris (Video)	
Object Distance		0.2m ~ ∞	
Zoom		10X	
Mount		C-Mount	
Focal Length		f8 ~ 80mm	
Max. Aperture Ratio		F 1.2	
Angle of View	Diagonal	54.3° ~ 5.8°	41.3° ~ 4.4°
	Horizontal	44.0° ~ 4.7°	33.3° ~ 3.5°
	Vertical	33.3° ~ 3.5°	25.0° ~ 2.6°
Operation	Iris	F 1.2 ~ F 560C	
	Focus	1.5m ~ ∞	
	Zoom	8 ~ 80mm	
Control	Iris	8.5V DC ~ 16V DC	
	Focus	8V DC	
	Zoom	8V DC	
Object Dimension at M.O.D.		80mm : 12.3cm x 9.2cm	
Back Focal Length		15.3mm	
Flange Back Length		17.526mm	
Input Signal		Video Signal (V or VS)	
Sensitivity Adjustment		0.5V(p-p) ~ 1.0V(p-p) (Video Signal)	
Operating Temperature		-10°C ~ +50°C	
Dimensions		70(W) x 81(H) x 123.5(D)mm	
Weight		670g	

Dimensions

Unit : mm



The Eco mark represents Samsung Techwin's will to create environment-friendly products, and indicates that the product satisfies the EU RoHS Directive.

Design and specifications are subject to change without notice.

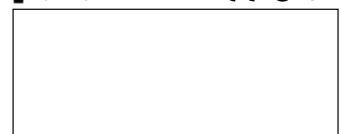
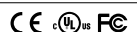


SAMSUNG TECHWIN CO., LTD.
333-1, Sangdaewon 1-dong, Jungwon-gu,
Seongnam-si, Gyeonggi-do Korea 462-807
Tel : +82-31-730-8931-3 Fax : +82-31-730-8950
www.samsungcctv.com

TIANJIN SAMSUNG OPTO-ELECTRONICS CO., LTD.
7 Pingchang Rd., Nankai Dist. Tianjin 300190, P.R.China
Tel : +86-22-2761-4724(33821) Fax : +86-22-2761-6514

SAMSUNG OPTO-ELECTRONICS UK, LTD.
Samsung House, 1000 Hillwood Drive,
Hillwood Business Park Chertsey, Surrey KT16 0PS
Tel : +44-1932-45-5308 Fax : +44-1932-45-5325

■ DISTRIBUTED BY



I.D-0706